

..... 2

..... 2

..... 2

..... 2

..... 3

..... 3

..... 3

..... 4

..... 4

..... 13

..... 13

..... 13

..... 13

..... 14

..... 15

..... 16

..... 16

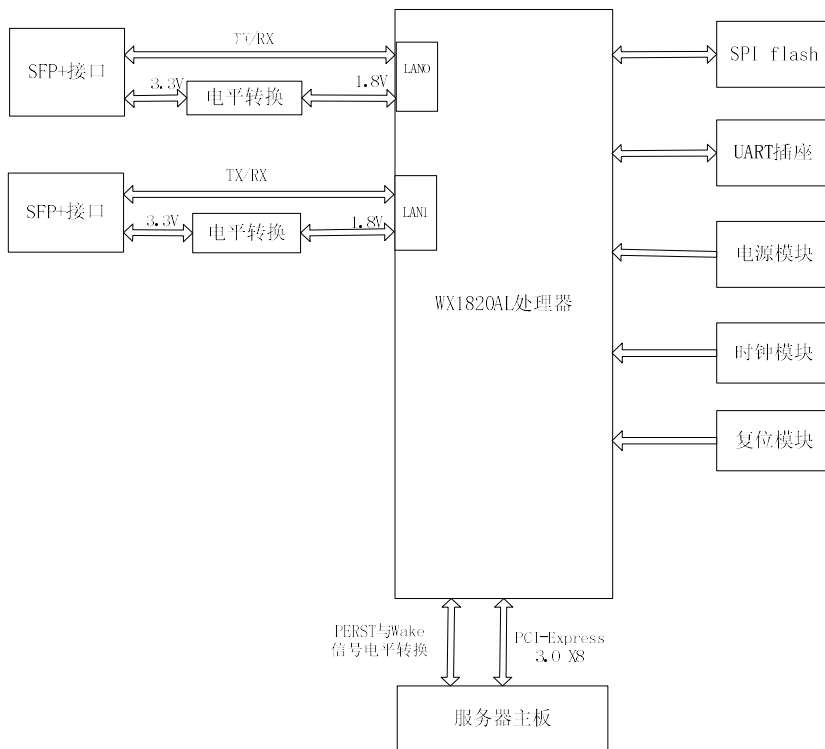
..... 16

..... 16

..... 16

..... 17

..... 17



-
-
-
-
-
-
-

-
-
-
-
-
-
-
-

-
-
-
-
-
-
-
-
-
-
-
-

-
-
-
-
-
-
-

-
-
-
-
-
-
-
-
-
-
-

-
-
-
-
-
-
-
-

Ball #	PinName	Type	Descript'

Ball #	PinName	Type

7DEHB Ge' ©

Ball #	Type	Description

Ball #	PinName	Description
--------	---------	-------------

Ball #	PinName	Type	Description

Ball #	PinName	Type	Description

Ball #	PinName	Type	Description

Ball #	PinName	Type	Description

Ball #	PinName	Type	Description

Ball #	PinName	Type	Description

Ball #	Pin Name	Description

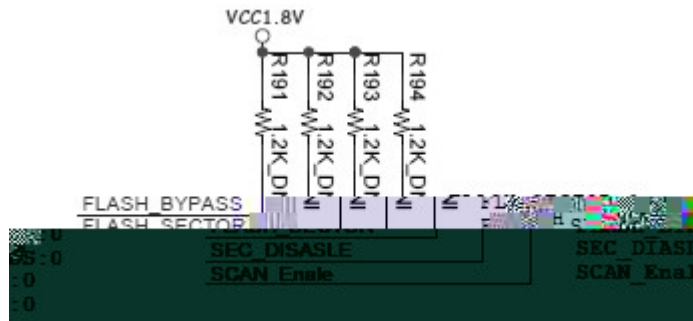
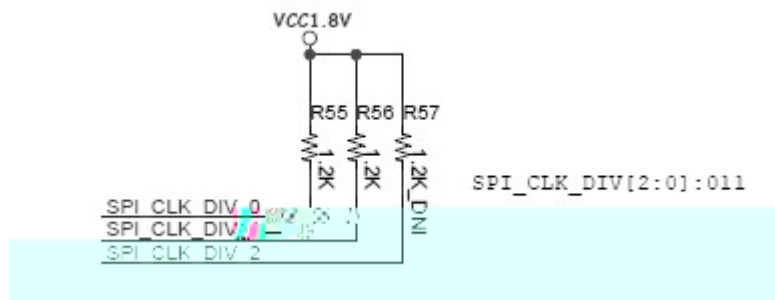
	e	ul	t	φo

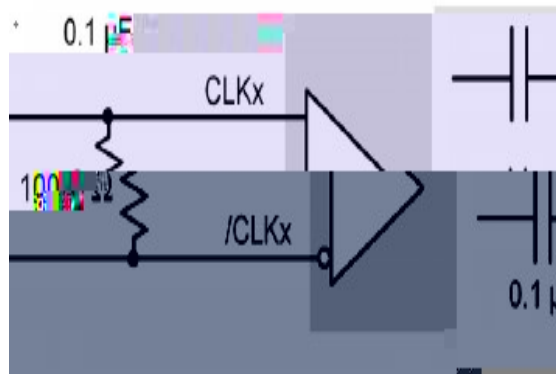
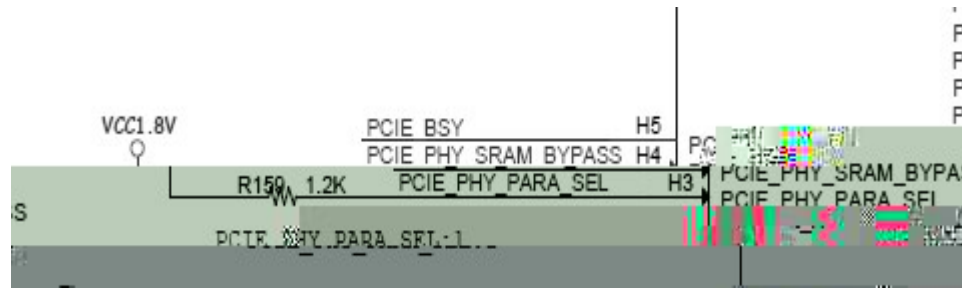
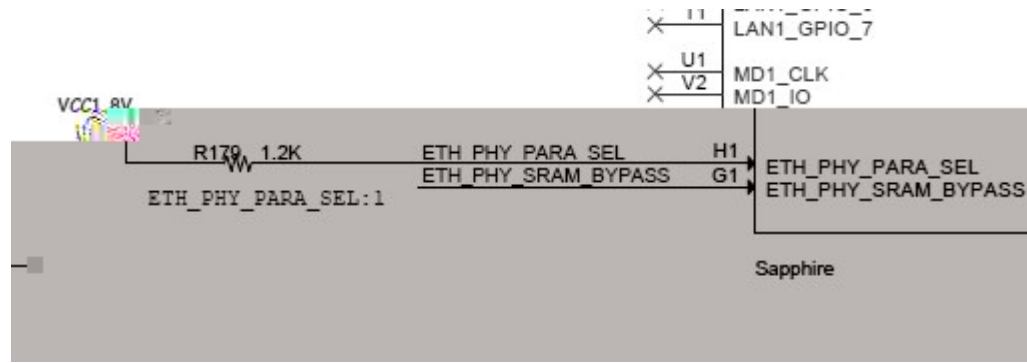
Table 18 WX1830AL

	e	ul	t	φo

Table 19 WX1830AL

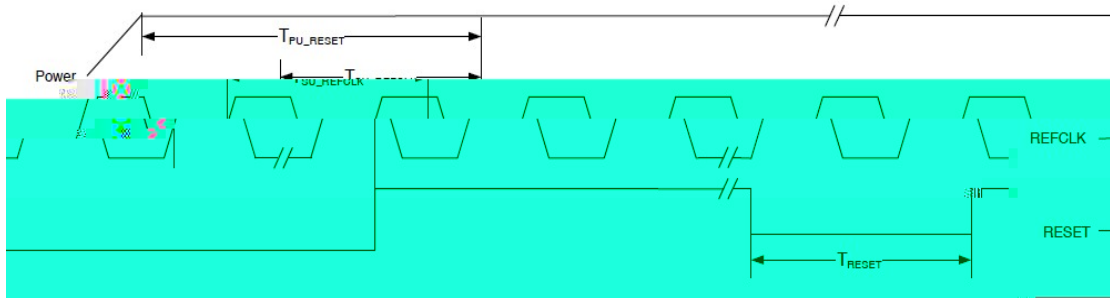
Table 20 T





	e	ul	t	φo

Table 21



Manufacturer	Part Number
winbond	W25Q16FW
microchip	SST26WF080B

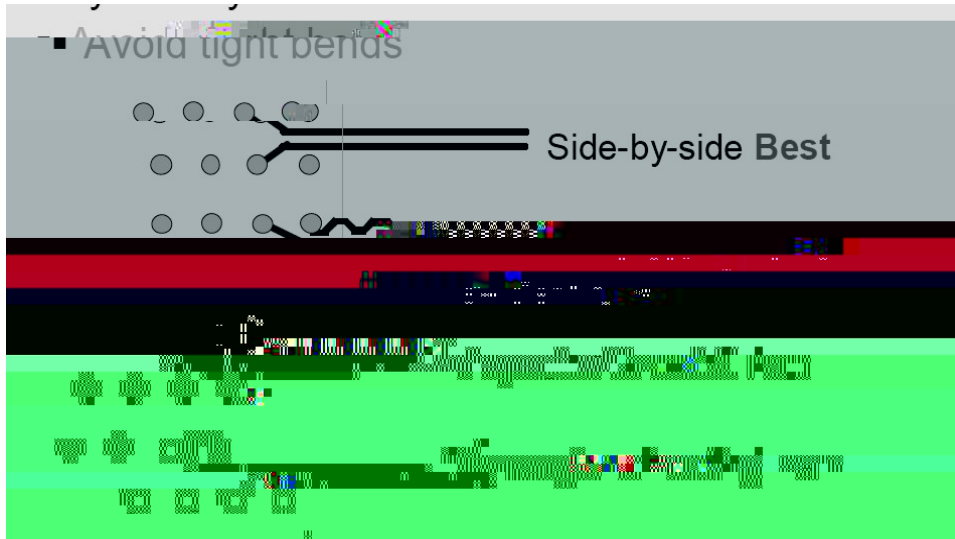
Table 22

Manufacturer	Part Number
Avago	AFFER-7096MZ
Intel	FTLX8571D3BCV-IT
F-tone	FTCS-851X-02Dex
Finisar	FTLX8574D3BCL

Tixson	TPS- TGMB 85DCR
Huawei	CMND30000
HP	SR SFP+ 456096 001
Hasense	LIF8502- BC+
JDSU	PLR&PL SC S43
WID	RIXM28 551

Table 23

-
-
-
-
-



-
-

WX1820AL



-

-
-

